

# *Welcome Visitor...*

*Aquathin's Mission is to be the premier and most recognizable water treatment company in the Universe. To improve the quality of Life, by providing the service of better water through supreme state of the art and trend-setting systems and technologies...while having fun along the way.*

*Bold Precision and Precision Bold is our vogue...we've accomplished what others said not possible...which turned out to mean not possible for them. We are proud to earn our price because most others do not have the discipline, integrity, education, charisma and resources to duplicate what we have accomplished here and in the field. No other company has acquired more honors, achievements, accomplishments in this industry...and that's important in your decision making process.*

***Prepare to have your socks knocked off !***

*Thank you considering Aquathin and its Dealer Network to provide your family or business the very best in water security.*

***FOR THE BEST TASTE IN LIFE &  
25 Years Pure Excellence  
Think Aquathin...AquathinK !!***

***"Alfie"  
Alfred J. Lipshultz, President***

Water Conditioning & Purification Magazine

**WC&P**

**INTERNATIONAL**

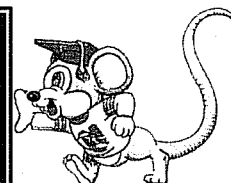
Serving the industry since 1959 • [www.wcponline.com](http://www.wcponline.com)

**WC&P joins the water treatment industry in congratulating Aquathin on its anniversary and its commitment to water quality.**

*Happy Silver Anniversary!*



**25 YEARS  
PURE EXCELLENCE**



# Water

www.watertechonline.com

## TECHNOLOGY®

*The Information Source for Water Treatment Professionals*

March 2004

## POU/POE supplier Aquathin celebrates its 25th anniversary

POMPANO BEACH, FL – This month, Aquathin Corp., a supplier of point-of-use/point-of-entry (POU/POE) water treatment equipment and solutions to improve indoor air quality, is celebrating 25 years in business.

Aquathin, which was founded by current President Alfred Lipschultz in March of 1980, markets more than 70 types of water treatment systems to the POU/POE market, ranging from residential undersink systems to equipment for larger commercial installations.

Aquathin, which has representatives across the United States and in several foreign countries, has also been active in its home state of Florida, providing water treatment equipment to several of

Florida's professional sports teams.

The company, which has six patents for water treatment technology, has been active as an industry trainer, regularly hosting classes for its signature Aquathin University. Aquathin also has played a lead role in encouraging water treatment dealers to become more involved in providing solutions in the indoor air quality market, which allows dealers to offer another product solution to health-conscious customers.

Aquathin is a recipient of the President's Excellence Award in Export from the US Commerce Department and the Blue Chip Enterprise Award from the US Chamber of Commerce.

# Water

TECHNOLOGY™

The Information Source for Water Treatment Professionals

*Water Technology* magazine congratulates  
**Aquathin**  
on its  
**Silver Anniversary**  
in the water treatment industry.  
Best wishes from the entire  
*Water Technology* family for  
another successful 25 years.

Aquathin Corp. 1980-2004



The  
United  
States  
of  
America

The Commissioner of Patents  
and Trademarks

*Has received an application for a new, original, and ornamental design for an article of manufacture. The title and description of the design are enclosed. The requirements of law have been complied with, and it has been determined that a patent on the design shall be granted under the law.*

*Therefore, this*

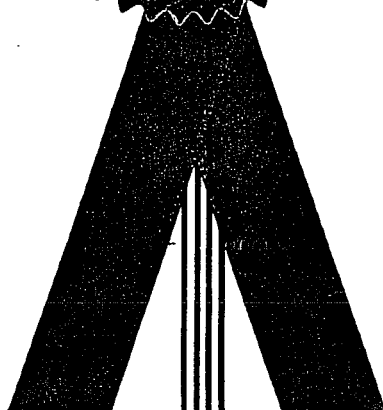
United States Patent

*Grants to the person or persons having title to this patent the right to exclude others from making, using or selling the design throughout the United States of America for the term of fourteen years from the date of this patent.*

*Bruce Lehman*

Commissioner of Patents and Trademarks

*Pamela J. Morton*  
Attest



- [54] PORTABLE WATER PURIFICATION SYSTEM
- [75] Inventors: Mitchell Lipschultz, Ft. Lauderdale; Alfred J. Lipschultz, Coconut Creek, both of Fla.
- [73] Assignee: Aquathin Corp., Ft. Lauderdale, Fla.
- [21] Appl. No.: 842,165
- [22] Filed: Mar. 21, 1986
- [51] Int. Cl.<sup>4</sup> ..... C02F 9/00
- [52] U.S. Cl. .... 210/257.2; 210/259; 210/266; 210/282; 210/284
- [58] Field of Search ..... 210/638, 663, 669, 681-688, 210/694, 900, 241, 266, 282, 284, 321.1, 257.2, 259

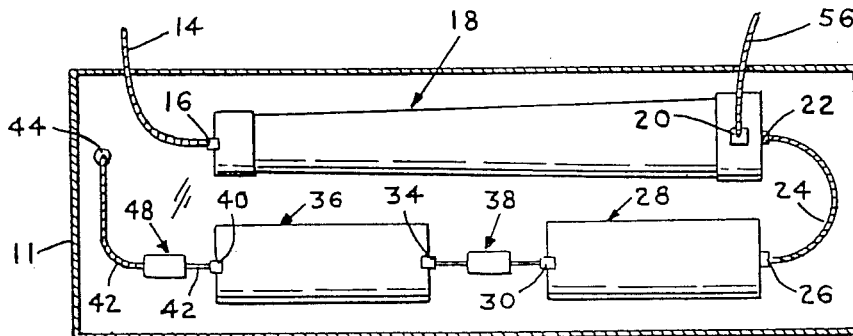
Primary Examiner—Ivars Cintins  
 Attorney, Agent, or Firm—Charles E. Baxley

[57] ABSTRACT

An apparatus for purifying drinking water by a combination of reverse osmosis, deionization by ion exchange resins, resin and final passage through activated carbon. The components for reverse osmosis, de-ionization, and passage through active carbon, and a product water reservoir are housed in a cabinet suitable for placement in a home. Ionic impurities are removed by reverse osmosis through a cellulose acetate membrane which feeds the flux water to a mixed resin bed for deionization. Waste brine is removed from the reverse osmosis module by controlled leakage to maintain concentration at a low level. The product water is filtered through a cartridge of granular activated carbon prior to being stored in a product water reservoir. An attachment is connectable with the tap water faucet to provide tap water to the unit at main water supply pressure and to dispose of waste brine water and excess product water. Components are replaceable and available on the market.

- [56] References Cited
- U.S. PATENT DOCUMENTS
- 3,870,033 3/1975 Faylor et al. .... 210/900
- 4,160,727 7/1979 Harris ..... 210/900
- 4,196,081 4/1980 Pavia ..... 210/284
- 4,383,920 5/1983 Muller et al. .... 210/284
- 4,416,775 11/1983 Halbich et al. .... 210/282
- 4,548,716 10/1985 Boeve ..... 210/669

1 Claim, 1 Drawing Sheet



# United States Patent [19]

Lipshultz et al.

[11] Patent Number: 4,856,559

[45] Date of Patent: Aug. 15, 1989

[54] FAUCET PROVIDING AND UTILIZING AIR GAP

[75] Inventors: Mitchell Lipshultz, Ft. Lauderdale;  
Alfred J. Lipshultz, Coconut Creek,  
both of Fla.

[73] Assignee: Aquathin Corp., Ft. Lauderdale, Fla.

[21] Appl. No.: 215,862

[22] Filed: Jul. 6, 1988

### Related U.S. Application Data

[63] Continuation-in-part of Ser. No. 842,165, Mar. 21, 1986, Pat. No. 4,759,844.

[51] Int. Cl.<sup>4</sup> ..... E03C 1/10

[52] U.S. Cl. .... 137/801; 137/216;  
210/418

[58] Field of Search ..... 137/216, 562, 801;  
210/257.2, 321.6, 418, 423

### [56] References Cited

#### U.S. PATENT DOCUMENTS

3,620,241	11/1971	Brown	137/216
3,967,638	7/1976	Tondreau	137/216
4,134,419	1/1979	Richetti	137/46
4,210,533	7/1980	Astil	137/216 X

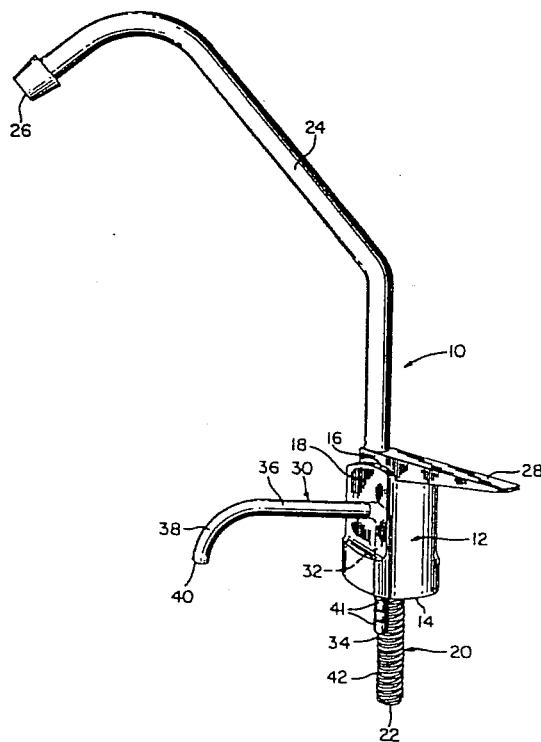
4,391,712	7/1983	Tyler et al.	210/257.2 X
4,454,891	6/1984	Dreibelbis et al.	137/216
4,599,171	7/1986	Padilla et al.	210/257.2
4,635,673	1/1987	Gerdes	137/216
4,744,895	5/1988	Gales	210/257.2 X

Primary Examiner—Gerald A. Michalsky  
Attorney, Agent, or Firm—Charles E. Baxley

### [57] ABSTRACT

A faucet includes a body and first and second independent liquid conduit systems passing through the body, for handling first and second liquids, which may be respectively pure water from a water purification system and waste water (brine) generated by reverse osmosis in the purification system. The first conduit system has lower, upper and intermediate tubular portions, the latter providing a passage between the lower and upper portions. A handle is movable between a position in which the passage is closed and a position in which the passage is open. The second conduit system is a tube which is always open and which has a liquid inlet and a liquid outlet end, the liquid inlet end being connectible to the waste water (brine) line and the liquid, with the liquid outlet end spaced above and providing a gap with the maximum level of liquid in a sink.

1 Claim, 1 Drawing Sheet



[54] PORTABLE WATER PURIFICATION SYSTEM INCLUDING ELECTRONIC MEMORY PANEL ASSEMBLY

[75] Inventors: Mitchell Lipshultz, Ft. Lauderdale, Fla.; Alfred J. Lipshultz, 4090 Lake Dr., Coconut Creek, Fla. 33309

[73] Assignee: Alfred J. Lipshultz, Coconut Creek, Fla.

[\*] Notice: The portion of the term of this patent subsequent to Jul. 26, 2005 has been disclaimed.

[21] Appl. No.: 215,495

[22] Filed: Jul, 6, 1988

Related U.S. Application Data

[63] Continuation-in-part of Ser. No. 842,165, Mar. 21, 1986, Pat. No. 4,759,844.

[51] Int. Cl.<sup>5</sup> ..... C02F 9/00

[52] U.S. Cl. .... 210/140; 210/143; 210/257.2; 210/259; 210/266; 210/282; 210/284

[58] Field of Search ..... 210/138, 140, 143, 638, 210/663, 669, 681-688, 694, 241, 257.2, 259, 266, 282, 284, 321.1, 900; 364/500, 502; 307/141.4; 361/195

[56]

References Cited

U.S. PATENT DOCUMENTS

4,759,844 7/1988 Lipshultz et al. .... 210/257.2  
4,801,375 1/1989 Padilla ..... 210/143

Primary Examiner—Ivars Cintins  
Attorney, Agent, or Firm—Charles E. Baxley

[57]

ABSTRACT

An electronic memory panel assembly controls the operation of a portable water purification system which has a reverse osmosis unit having an inlet. The assembly includes a solenoid device with piping having an inlet end fitting for attachment to a source of water to be purified, an outlet end fitting for attachment to the inlet of the reverse osmosis unit, a normally closed valve in the piping, and a solenoid having terminals which when activated will open the valve to cause automatic operation of the purification system. The assembly also includes a control device for automatically controlling the solenoid in accordance with predetermined criteria. The control device has a timer, a relay 32, a first pair of leads connecting the timer, and the relay 32, a second pair of leads running from the relay 32 to the solenoid terminals, and a third pair of leads, one of which is at the same electrical potential as one of the first pair of leads and the other of which is at the same electrical potential as one of the second pair of leads. The third pair of leads is connectible to a power source. The timer determines when the solenoid is activated and deactivated.

1 Claim. 1 Drawing Sheet

U.S. Patent

May 15, 1990

4,925,551

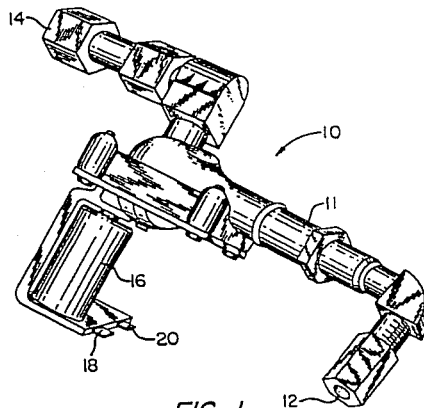


FIG. 1

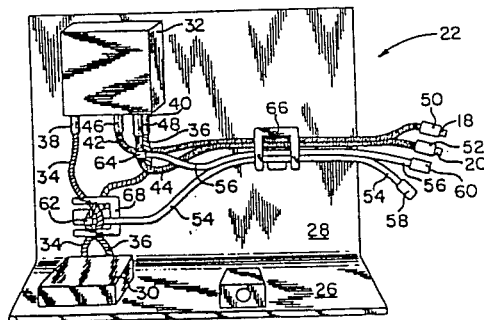


FIG. 2

fees  
six  
upon  
the



US005147533A

# United States Patent [19]

[11] Patent Number: 5,147,533

Lipshultz et al.

[45] Date of Patent: Sep. 15, 1992

[54] SINK WITH WATER PURIFICATION SYSTEM THEREUNDER

[56] References Cited

[75] Inventors: Alfred J. Lipshultz, 4090 Lake Dr., Coconut Creek, Fla. 33066; Mitchell Lipshultz, Ft. Lauderdale, Fla.

U.S. PATENT DOCUMENTS

4,880,535 11/1989 Burrows ..... 210/321.72

[73] Assignee: Alfred J. Lipshultz, Coconut Ck, Fla.

Primary Examiner—Frank Sever  
Attorney, Agent, or Firm—Charles E. Baxley

[21] Appl. No.: 786,596

[57] ABSTRACT

[22] Filed: Nov. 1, 1991

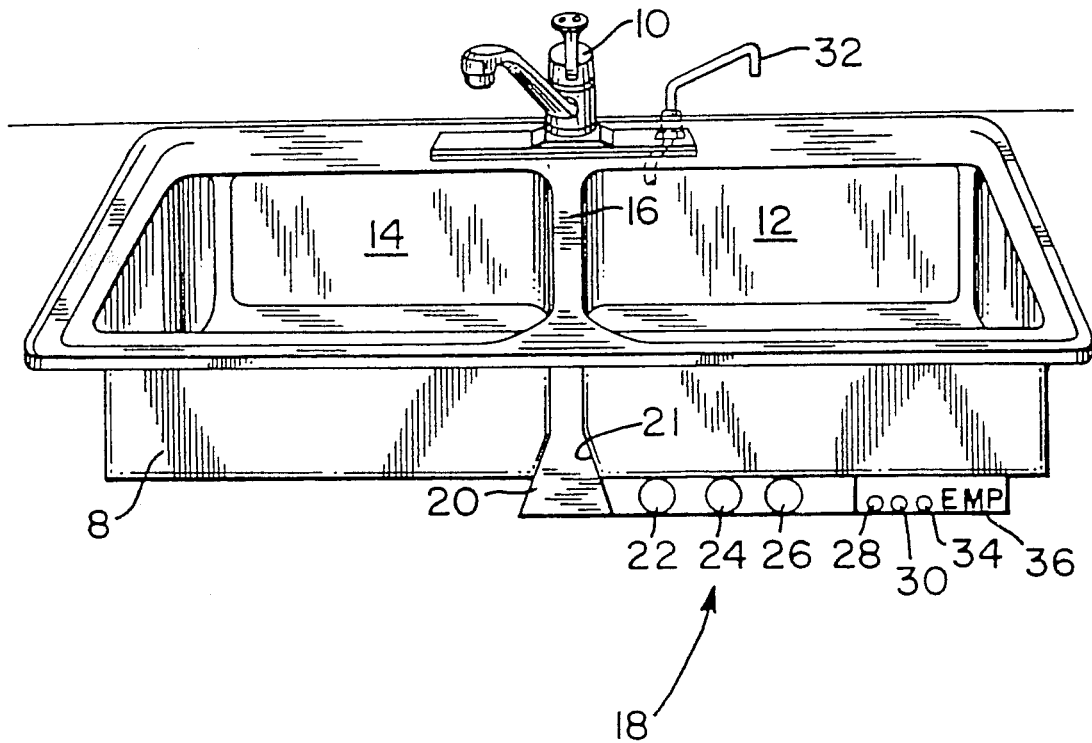
A water purification system includes a storage tank, a prefilter, a reverse osmosis element, a deionization module, a feedwater connection, a brine discharge line, and an electronic memory panel, all of which are incorporated within mounted or mountable on the underside of a kitchen sink. The system also includes a long reach faucet and a product water connection connects the storage tank to the long reach faucet from which the storage tank discharges purified water.

[51] Int. Cl.<sup>3</sup> ..... B01D 61/08

[52] U.S. Cl. .... 210/98; 210/108; 210/138; 210/195.3; 210/257.2; 210/321.69

[58] Field of Search ..... 210/321.72, 97, 98, 210/100, 102, 108, 111, 138, 195.3, 257.2, 321.6, 321.69, 321.71, 393, 411, 416.3; 222/189, 40; 137/562, 216

1 Claim, 1 Drawing Sheet



fees  
nd six  
r upon  
of the  
of the  
ore the  
re as of





US00D364672S

# United States Patent [19]

[11] Patent Number: **Des. 364,672**

Lipshultz et al.

[45] Date of Patent: **\*\*Nov. 28, 1995**

[54] **COUNTERTOP WATER PURIFICATION UNIT**

D. 290,286	6/1987	Padilla .....	D23/207
D. 323,875	2/1992	Kang et al. ....	D23/209
869,745	10/1907	Spencer .....	222/185 X
4,728,005	3/1988	Jacobs et al. ....	222/129.1 X

[76] Inventors: **Alfred J. Lipshultz**, 4090 Lake Dr., Coconut Creek, Fla. 33066; **Mitchell Lipshultz**, 4100 Galt Ocean Dr. #1601, Ft. Lauderdale, Fla. 33308

*Primary Examiner*—Lou Zarfas  
*Assistant Examiner*—Monica A. Hannon  
*Attorney, Agent, or Firm*—Charles E. Baxley

[\*\*] Term: **14 Years**

### [57] CLAIM

[21] Appl. No.: **26,046**

The ornamental design for a countertop water purification unit, as shown and described.

[22] Filed: **Jul. 18, 1994**

[52] U.S. Cl. .... **D23/209**

### DESCRIPTION

[58] **Field of Search** ..... **D23/200-209;**  
210/192, 222, 223, 257.2, 282, 446, 448,  
744; 220/1.5, 4.21, 633; 222/185, 189,  
129.1; 99/323.1; 261/DIG. 7

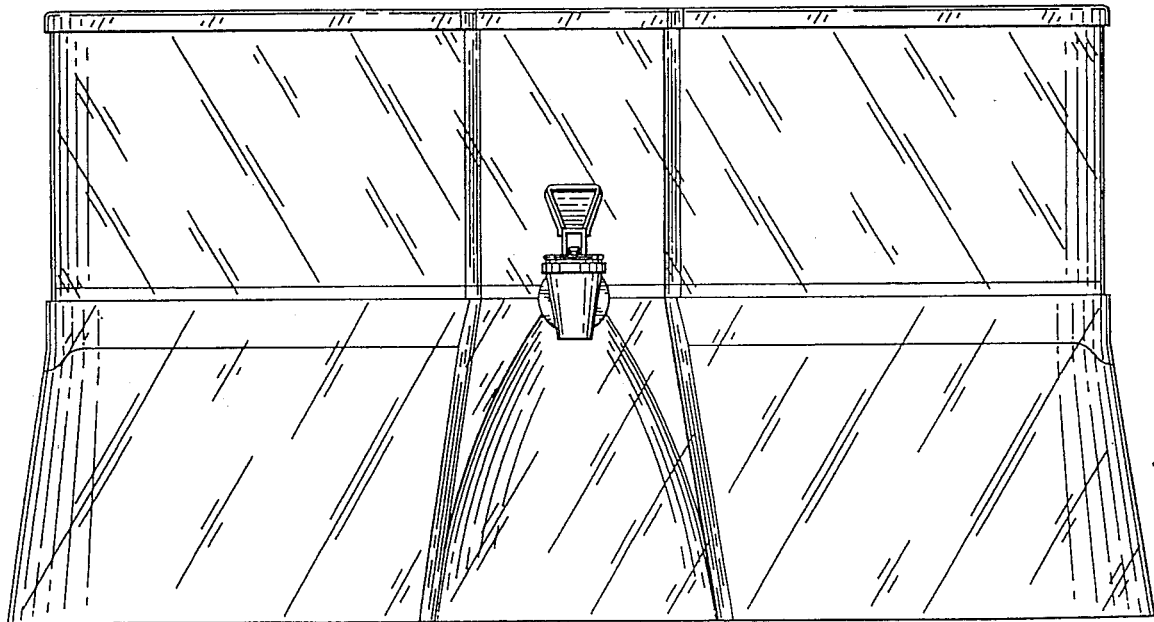
FIG. 1 is a front elevational view of a countertop water purification unit according to my design;  
FIG. 2 is a rear elevational view thereof;  
FIG. 3 is a top plan view thereof;  
FIG. 4 is a left elevational view thereof;  
FIG. 5 is a right elevational view thereof; and,  
FIG. 6 is a bottom plan view thereof.

### [56] References Cited

#### U.S. PATENT DOCUMENTS

D. 180,718	7/1957	Masson .....	D7/311
D. 202,023	8/1965	Gordon .....	D7/311 X

**1 Claim, 6 Drawing Sheets**





US00D377081S

# United States Patent [19]

[11] Patent Number: Des. 377,081

Lipshultz et al.

[45] Date of Patent: \*\*Dec. 31, 1996

[54] WATER TREATMENT CABINET

[75] Inventors: Alfred J. Lipshultz, 4090 Lake Dr., Coconut Creek, Fla. 33066; Mitchell Lipshultz, Fort Lauderdale, Fla.

[73] Assignee: Alfred J. Lipshultz, Coconut Creek, Fla.

[\*\*] Term: 14 Years

[21] Appl. No.: 45,080

[22] Filed: Oct. 10, 1995

[52] U.S. Cl. .... D23/207; D23/303

[58] Field of Search ..... D23/205, 207; 210/678, 275, 279, 283, 288, 670, 278, 143

### [56] References Cited

#### U.S. PATENT DOCUMENTS

D. 307,172 4/1990 Downing ..... D23/205  
D. 314,225 1/1991 Palmer et al. .... D23/207

D. 331,097 11/1992 Sieren ..... D23/207  
D. 332,480 1/1993 Sieren ..... D23/207  
D. 361,823 8/1995 Loytouw et al. .... D23/207  
5,116,491 5/1992 Brone et al. .... 210/143  
5,378,370 7/1995 Brone et al. .... 210/678

Primary Examiner—Stella Reid  
Assistant Examiner—Eric Watterson  
Attorney, Agent, or Firm—Charles E. Baxley, Esq.

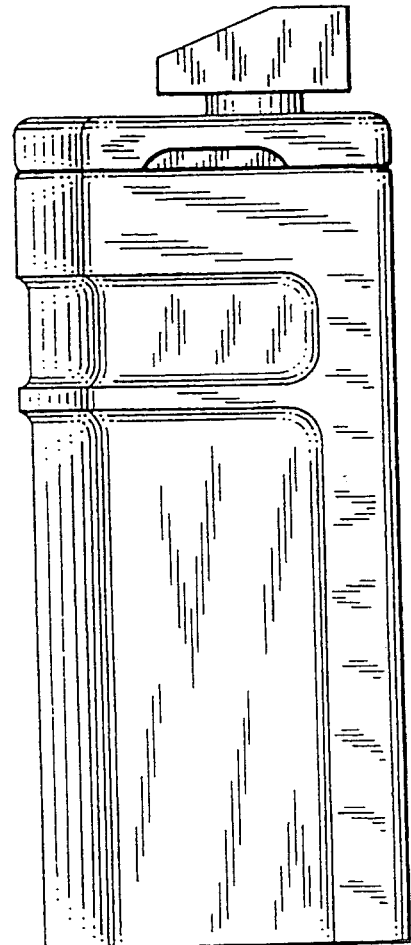
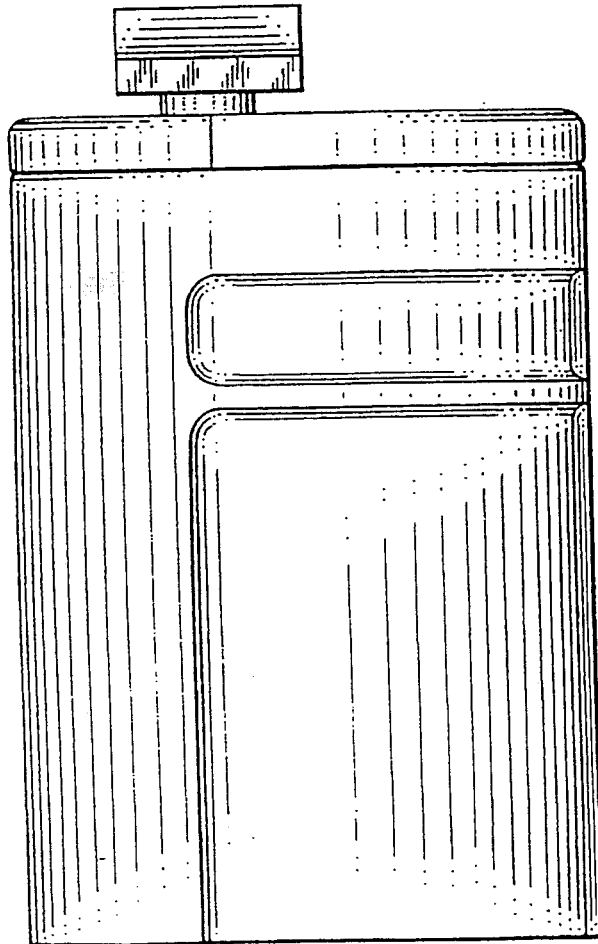
### [57] CLAIM

The ornamental design of a water treatment cabinet, as shown and described.

### DESCRIPTION

FIG. 1 is a front elevational view of a water treatment cabinet according to our design; FIG. 2 is a right elevational view thereof; FIG. 3 is a left elevational view thereof; FIG. 4 is a top plan view thereof; FIG. 5 is a rear elevational view thereof; and, FIG. 6 is a bottom plan view thereof.

1 Claim, 1 Drawing Sheet



5600 Northwest 36th Street  
Suite 617  
Address all mail to:  
P.O. Box 590570  
Miami, Florida 33159-0570



TEL: (305) 526-7425  
FAX: (305) 526-7434

**January 20, 1998**

**TO WHOM IT MAY CONCERN**

**Aquathin Corp. USA of Pompano Florida, is well known to the U.S. Export Assistance Center. Expert management systems, excellent quality control programs, patented product innovations and the Aquathin's University training facilities make this company a reputable supplier and business partner to anyone interested in importing and distributing residential and commercial water treatment systems.**

**Aquathin is committed to exporting and successfully utilizes the assistance of the U.S. Commerce Department earning Aquathin the prestigious and coveted President's Excellence in Exporting Award.**

**Because of this commitment to quality product and service, Mr. Alfred Lipshultz, President and CEO, has been appointed to his second term of the Florida District Export Council, an advisory group to the U.S. Department of Commerce.**

**The U.S. Export Assistance Center proud to have participated in Aquathin's quest for global success.**

**Sincerely,**

A handwritten signature in black ink that reads "Karl Koslowski". The signature is written in a cursive style with a horizontal line underneath the name.

**Karl Koslowski,  
Deputy Director**



**THE SECRETARY OF COMMERCE**  
Washington, D.C. 20230

AUG 16 2002

Mr. Alfred Lipshultz  
President  
Aquathin Corporation  
950 South Andrews Avenue  
Pompano Beach, FL 33069

Dear Mr. Lipshultz:

Please accept my sincere appreciation for your years of service on the Florida District Export Council (DEC).

In our country's finest tradition of volunteerism, you have worked toward an important national economic goal -- expanding American exports. More U.S. companies are exporting today than ever before. Many of them succeed because of assistance received from DEC members like you.

I am grateful for your efforts and commitment to strengthening our economic security.

Sincerely,

A large, bold, handwritten signature in black ink, appearing to read "D. L. Evans".

Donald L. Evans

**EMBASSY OF THE UNITED STATES OF AMERICA**

*U.S. AND FOREIGN COMMERCIAL SERVICE*

*MADRID, SPAIN*



18 de septiembre de 1998

**A QUIEN PUEDA INTERESAR**

El Sr. D. Alfred J. Lipshultz, Presidente de la empresa norteamericana AQUATHIN CORP. sita en Pompano Beach, Florida, ha comunicado a esta Consejería Comercial el nombramiento del Sr. D. Sarturio Gutierrez como representante oficial de AQUATHIN CORP. en España.

AQUATHIN CORP. recibió en 1992 el Premio Presidencial "E", el más alto reconocimiento que otorga el gobierno de los Estados Unidos a los exportadores norteamericanos. Aquathin inició sus operaciones en 1980 y ofrece actualmente una línea completa de equipos para purificación del agua. Estos equipos son ampliamente usados a nivel residencial, industrial, comercial, y en laboratorios. Aquathin tiene distribuidores en 34 países. El Departamento de Comercio de los Estados Unidos, se siente orgulloso de haber colaborado con Aquathin.

Ruego extiendan su colaboración y asistencia al Sr. Gutierrez en la promoción de los productos AQUATHIN en España.

Atentamente,

Rafael Ferramoselle  
Consejero para Asuntos Comerciales



## U.S. COMMERCIAL SERVICE

15 Chaplin Road (Cnr Oxford)  
Illovo, South Africa

Telephone: 011 442-3571 Telefax: 011-442-3770

---

May 8, 1998

### TO WHOM IT MAY CONCERN

This is to certify that Aquathin Corporation is well known to the U.S. Department of Commerce and received in 1992 the President's "E" Award for Excellence in Exporting, the highest United States recognition for exporting. Aquathin has been in business since 1980 and offers a complete line of reverse osmosis water filtration systems for commercial, residential and laboratory markets. The firm is committed to exporting and has distributors in 34 countries. The U.S. Department of Commerce is proud to have assisted Aquathin in its quest for global success.

Aquathin is a committed exporter with proven experience as a reputable supplier. We recommend that companies in South and Southern Africa interested in water filtration equipment carefully consider the Aquathin Corporation and its high American products and services.

Sincerely,

Daniel E. Harris  
Senior Commercial Officer



THE WHITE HOUSE  
WASHINGTON

January 18, 1994

Mr. Alfred Lipshultz  
950 South Andrews Avenue  
Pompano Beach, Florida 33069

Dear Alfred:

I am deeply grateful for your support for my Administration's efforts to pass the historic North American Free Trade Agreement. Because of the help of dedicated individuals like you, America has reaffirmed its tradition of international leadership and signaled our intention to compete vigorously in an open international economy.

I hope I can count on your continuing support on health care reform and other important issues. Working together, we can build a more prosperous future for all Americans.

Sincerely,

*Bill Clinton*

THE ORIGINAL LETTER FROM PRESIDENT CLINTON IS  
FRAMED AND DISPLAYED ON AQUATHIN'S 'WALL OF FAME'



THE WHITE HOUSE  
WASHINGTON

December 23, 1993

Mr. Alfred Lipshultz  
Aquathin Corporation  
950 S. Andrews Avenue  
Pompano Beach, Florida 33069

Dear Alfred:

I want to personally thank you for your participation in the NAFTA products day event at the White House. It was uplifting for me to see so many goods produced by American workers and exported to Mexico.

Because of your work, we are able to expand trade and open markets not just to Mexico, but to all of Latin America. This move will help strengthen our economy and create more American jobs.

Your efforts helped Americans become better informed about NAFTA's benefits. You can be proud of your contribution to the passage of this historic agreement.

I look forward to your continuing support of our efforts to open up new markets for American goods and services.

Sincerely,

A handwritten signature in black ink that reads "Bill Clinton".

---

THE ORIGINAL LETTER FROM PRESIDENT CLINTON IS  
FRAMED AND DISPLAYED ON AQUATHIN'S "WALL OF FAME"

---





www.buyusa.com

## EMBASSY OF THE UNITED STATES OF AMERICA

42 ELGIN ROAD, BALLSBRIDGE, DUBLIN 4, IRELAND.  
TELEPHONE: +353 - 1 - 667 4752 FAX: +353 - 1 - 667 4754  
Email: dublin.office.box@mail.doc.gov



www.usembassy.ie

October 22, 2002

Mssrs. Joe Guthrie and Fergus Curley  
AQUATHIN IRELAND, THE PURE H2O COMPANY  
Power Woollen Mills  
Kildolgan  
Co. Galway  
Ireland

Dear Joe and Fergus:

Congratulations on being selected as the newly authorized dealer in Ireland for **Aquathin Corp. USA**. Alfred Lipshultz, the President of Aquathin Corp. USA sent us an email announcing your appointment and introducing us to you.

Aquathin Corp. USA is well known to the U.S. Department of Commerce and has utilized our programs and services to develop and expand sales in more than 40 countries worldwide. As you know, the company, which is headquartered in Pampano Beach, Florida, was established in 1980 and is an EPA-registered, ISA 9000-compliant manufacturer and exporter of a wide range of unique and patented water purification, softening and filtration systems for residential, commercial and laboratory use.

Through the years, Aquathin Corp. USA has developed a reputation for excellent products, superb service, and outstanding client support. The company has received national acclaim for its efforts, including the President's "E" Award for Excellence in Exporting, and the Nation's Blue Chip Enterprise Award. These two important awards are testament to the fine reputation of the company you now represent.

Once again, our congratulations to you. Through your appointment, **Aquathin Ireland** will be able to bring a commitment to quality and proven excellence in water filtration systems to the Irish marketplace. I wish you great success in the years ahead. If there is anything our office can do to assist, please let us know.

Sincerely,

Dale N. Tasharski  
Counselor for Commercial Affairs



Embassy of the United States of America  
24 Grosvenor Square  
London W1A 1AE  
Tel: (0171) 408 8046  
Fax: (0171) 408 8020  
<http://www.usembassy.org.uk/ukfcs.html>  
American Business Information Center  
Tel: 0891-715621



October 20, 1998  
London, England

TO WHOM IT MAY CONCERN

We would like to introduce you to Aquathin Corporation who, in 1992, received the President's "E" Award for Excellent in Exporting, the highest United States recognition for exporting. Aquathin has been in business since 1980 and offers a complete line of reverse osmosis water filtration systems for commercial, residential and laboratory markets. The firm is committed to exporting and has distributors in 34 countries. The UK distributor for Aquathin is Mr. Roger Wiltshire who is located at Aquathin UK, The Business Village, Blackbushe Business Park, Yately, Hampshire, GU46 6GA.

Aquathin is a committed exporter with proven experience as a reputable supplier. We recommend that British firms interested in water filtration equipment carefully consider the Aquathin Corporation and its high quality American products and services.

Sincerely,

A handwritten signature in cursive script that reads "Bobette K. Orr".

Bobette Orr  
Commercial Counselor



EMBASSY OF THE UNITED STATES OF AMERICA  
THE COMMERCIAL SERVICE

Lisbon, August 7, 2002

*TO WHOM IT MAY CONCERN:*

Mr. Alfred J. Lipshultz, President of the U.S. company "**Aquathin Corp.**," with headquarters in Pompano Beach, Florida, informed the U.S. Commercial Service of the American Embassy in Lisbon that he has appointed "**The Pure H2O Company Portugal, Lda**" as Aquathin's new distributor for the Portuguese market.

In 1992, **Aquathin** received in 1992 the President's "E" Award for Excellence in Exporting, the highest United States Government recognition for exporting. **Aquathin** has been in business since 1980 and offers a complete line of reverse osmosis water filtration systems for commercial, residential and laboratory markets. The firm is committed to exporting and has distributors in 43 countries.

The U.S. Department of Commerce, U.S. Commercial Service is proud to assist **Aquathin** in its quest for global success and recommends that Portuguese companies interested in water filtration equipment carefully consider the **Aquathin Corp.** and its high-quality American products and services.

Sincerely,

Robert M. Shipley,  
Commercial Attache



EMBASSY OF THE UNITED STATES OF AMERICA  
THE COMMERCIAL SERVICE

Lisboa, 7 de Agosto de 2002

*A QUEM POSSA INTERESSAR:*

O Senhor Alfred J. Lipshultz, Presidente da empresa norte-americana "**Aquanthin Corp.**", com sede em Pompano Beach, Florida, informou os Serviços Comerciais da Embaixada dos Estados Unidos da América em Lisboa que nomeou como seu representante em Portugal a firma "**The Pure H2O Company Portugal, Lda.**"

A **Aquanthin Corp.** recebeu em 1992 o Prémio Presidencial "E" por Excelência como Exportador, o mais alto reconhecimento com que o Governo dos Estados Unidos da América distingue os exportadores americanos. A **Aquanthin** iniciou a sua actividade em 1980 e actualmente oferece uma linha completa de equipamentos para purificação de água, usados a nível residencial, industrial comercial e em laboratórios. Neste momento, a **Aquanthin** tem distribuidores em 43 países.

O Departamento de Comércio dos Estados Unidos tem todo o prazer de colaborar com a **Aquanthin**, esperando que, também em Portugal, atinja os maiores êxitos comerciais.

Atentamente,

Robert M. Shipley  
Adido Comercial



February 11, 1998  
Santo Domingo, Dom. Rep.

TO WHOM IT MAY CONCERN

This is to certify that Aquathin Corporation is well known to the U.S. Department of Commerce and received in 1992 the President's "E" Award for Excellent in Exporting, the highest United States recognition for exporting. Aquathin has been in business since 1980 and offers a complete line of reverse osmosis water filtration systems for commercial, residential and laboratory markets. The firm is committed to exporting and has distributors in 34 countries. The U.S. Department of Commerce is proud to have assisted Aquathin in its quest for global success.

Aquathin is a committed exporter with proven experience as a reputable supplier. We recommend that Dominican firms interested in water filtration equipment carefully consider the Aquathin Corporation and its high quality American products and services.

Sincerely,

Larry Farris  
Commercial Counselor  
Caribbean Region



11 de febrero de 1998  
Santo Domingo, Rep. Dom.

### A QUIEN PUEDA INTERESAR

La presente es para certificar que Aquathin Corporation is una compañía bien conocida por el Departamento de Comercio de los Estados Unidos, y recibió en 1992 el Premio Presidencial "E" por Excelencia Como Exportador. Este es el más alto reconocimiento que otorga el gobierno de los Estados Unidos a los exportadores norteamericanos. Aquathin inció sus operaciones en 1980 y ofrece actualmente una línea completa de equipos para purificación del agua con el sistema "Reverse Osmosis". Estos equipos son ampliamente usados a nivel residencial, industrial, comercial, y en laboratorios. Aquathin, comprometido con el mercado internacional, tiene distribuidores en 34 países. El Departamento de Comercio de los Estados Unidos, se siente orgulloso de haber colaborado con Aquathin en su búsqueda por el éxito en el mercado global.

Aquathin es un exportador comprometido con probada experiencia y reputación como un suplidor confiable. Nosotros recomendamos a las compañías dominicanas interesadas en equipos de purificación de agua a tomar en cuenta Aquathin Corporation por la gran calidad de sus servicios y productos norteamericanos.

Atentamente,

Larry Farris  
Consejero Comercial  
Región del Caribe



**U.S. DEPARTMENT OF COMMERCE**

U. S. EMBASSY  
Caracas, Venezuela  
TEL: 58/2/977-2011  
FAX: 58/2/977-2177

Caracas, August 10, 1998

TO WHOM IT MAY CONCERN

This is to certify that Aquathin Corporation is well known to the U.S. Department of Commerce and received in 1992 the President's "E" Award for Excellence in Exporting, the highest United States recognition for exporting. Aquathin has been in Business since 1980 and offers a complete line of reverse osmosis water filtration systems for commercial, residential and laboratory markets. The firm is committed to exporting and has distributors in 34 countries. The U.S. Department of Commerce is committed to support Aquathin in its continuous pursuit of global success.

Aquathin is a committed exporter with proven experience as a reputable supplier. We recommend that companies in Venezuela interested in water filtration equipment carefully consider the Aquathin Corporation and its high quality American products and services.

Sincerely,

Renato L. Davia  
Commercial Attaché  
Caracas - Venezuela



## U.S. DEPARTMENT OF COMMERCE

U. S. EMBASSY  
Caracas, Venezuela  
TEL: 58/2/977-2011  
FAX: 58/2/977-2177

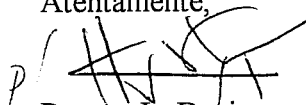
Caracas, 10 de Agosto de 1998

### A QUIEN PUEDA INTERESAR

La presente es para certificar que Aquathin Corporation es una compañía bien conocida por el Departamento de Comercio de los Estados Unidos, y recibió en 1992 el Premio Presidencial "E" por Excelencia Como Exportador, el más alto reconocimiento que otorga el gobierno de los Estados Unidos a los exportadores norteamericanos. Aquathin inició sus operaciones en 1980 y ofrece actualmente una línea completa de equipos para purificación del agua con el sistema "Reverse Osmosis", usado a nivel residencial, comercial y en laboratorios. Aquathin, comprometido con el mercado internacional, tiene distribuidores en 34 países. El Departamento de Comercio de los Estados Unidos igualmente se compromete a apoyar a Aquathin en su búsqueda por el éxito en el mercado global.

Aquathin es un exportador comprometido con probada experiencia y reputación. Nosotros recomendamos a las compañías venezolanas interesadas en equipos de purificación de agua a tomar en cuenta Aquathin Corporation por la gran calidad de sus servicios y productos norteamericanos.

Atentamente,



Renato L. Davia  
Agregado Comercial  
Caracas - Venezuela





EMBASSY OF THE  
UNITED STATES OF AMERICA  
COMMERCIAL SERVICE

Brussels, Belgium

September 2, 1998

To Whom It May Concern

This is to certify that Aquathin Corporation is well known to the U.S. Department of Commerce and received in 1992 the President's "E" Award for Excellence in Exporting, the highest United States recognition for exporting. Aquathin has been in business since 1980 and offers a complete line of reverse osmosis water filtration systems for commercial, residential and laboratory markets. The firm is committed to exporting and has distributors in 34 countries. The U.S. Department of Commerce is proud to have assisted Aquathin in its quest for global success.

Aquathin is a committed exporter with proven experience as a reliable supplier. We recommend that companies in Belgium interested in water filtration equipment carefully consider the Aquathin Corporation and its high American products and services.

Sincerely,

Reginald Miller  
Commercial Attache



## EMBASSY OF THE UNITED STATES OF AMERICA

American Embassy  
110 Atatürk Bulvarı  
06100 Kavaklıdere  
Ankara, Turkey  
Tel : (90) (312) 467 - 0949  
(90) (312) 468 - 6110  
Fax : (90) (312) 467 - 1366

(for Mail from U.S.)  
American Embassy, Ankara  
PSC 93, Box 5000  
APO AE 09823

September 4, 1998

### TO WHOM IT MAY CONCERN

Commercial Service Turkey is pleased that Aquathin Corporation is entering the dynamic market in Turkey through their appointment of Tempo Ithalat Pazarlama, Ltd as a distributor for their complete line of reverse osmosis water filtration systems serving commercial, residential and laboratory users globally.

Aquathin Corp. is well known to the U.S. Department of Commerce and is a past recipient of the prestigious President's "E" award for Excellence in Exporting. We recommend that Turkish firms interested in water filtration equipment objectively consider Aquathin Corporation and their American products and services.

Sincerely,

Nicholas Randal Kuchova  
Commercial Attache



*Embassy of the United States of America*

Tokyo, Japan

December 19, 1997

Mr. Youichi Hirose  
President  
Energy Corporation  
3-20-2-502 Kogane Kiyoshigaoka  
Matsudo-Shi, Chiba, 270

Dear Mr. Hirose:

The Commercial Service of the U.S. Embassy Tokyo actively assists U.S. firms in entering the Japanese market and is currently working with Aquathin Corporation, a U.S. manufacturer of state-of-the-art, portable reverse osmosis water purifiers. In recognition of Aquathin Corporation's commitment to worldwide markets and impressive achievements in selling to 34 countries, in 1992 the U.S. Department of Commerce awarded the firm the President's "E" Award for Excellent in Exporting.

The recent deregulation in the Japanese market for plumbing products, including the major revision of the Waterworks Law, represents a significant market opening for high-quality U.S. products to the benefit of Japanese consumers. Given this excellent opportunity to introduce new U.S. products into the Japanese market, we respectfully request that you consider working with Aquathin and other U.S. suppliers of high-quality plumbing products. Thank you for your consideration.

Sincerely,

A handwritten signature in cursive script that reads "Julie A. Snyder".

Julie A. Snyder  
Commercial Attache



# Orthodox Union

UNION OF  
ORTHODOX  
JEWISH  
CONGREGATIONS  
OF AMERICA

איחוד  
קהילות  
האורתודוקסים  
באמריקה

333 SEVENTH AVENUE • NEW YORK, NY 10001 • (212) 563-4000 • FAX (212) 564-9058

December 14, 1995

ב"ה

## KASHRUTH DIVISION

*President*  
MANDELL I. GANCHROW, M.D.

*Chairman*  
PROF. SHIMON KWESTEL

*Vice Chairman*  
DAVID FUND

*Rabbinic Administrator*  
RABBI MENACHEM GENACK

TO WHOM IT MAY CONCERN:

This is to certify that the following products, listed under their respective brand names, prepared by

*Rabbinic Administrator (1950-1972)*  
RABBI ALEXANDER S. ROSENBERG

Aquathin Corp., Pompano Beach, FL 33069,

are manufactured under the supervision of the Kashruth Division of the Union of Orthodox Jewish Congregations of America and are kosher and pareve when bearing the O.U. symbol of certification:

BRAND: AUTOMATIC SUBSINK PURIFIER  
PLT90

O.U.

BRAND: COMMERCIAL SYSTEM PURIFIER  
100+

O.U.

BRAND: CONDITIONER  
SODIALITE  
SOFT & CLEAN

O.U.

O.U.

BRAND: KITCHENTOP 90 PURIFIER  
KT90

O.U.

BRAND: PORTABLE TRAVEL UNIT PURIFIER  
RDT

O.U.

BRAND: SPACE SAVER PURIFIER  
SS90

O.U.

Rabbi Menachem Genack  
Rabbinic Administrator

Page: 1



# Orthodox Union

UNION OF  
ORTHODOX  
JEWISH  
CONGREGATIONS  
OF AMERICA  
איחוד  
קהילות  
האורתודוקסים  
באמריקה

333 SEVENTH AVENUE • NEW YORK, NY 10001 • (212) 563-4000 • FAX (212) 564-9058

ב"ה

December 14, 1995

## KASHRUTH DIVISION

*President*  
MANDELL I. GANCHROW, M.D.

*Chairman*  
PROF. SHIMON KWESTEL

*Vice Chairman*  
DAVID FUND

*Rabbinic Administrator*  
RABBI MENACHEM GENACK

Aquathin Corp.

**BRAND: SUB SINK PURIFIER  
AQUA KING  
AQUALITE  
PSS90**

O.U.  
O.U.  
O.U.

*Rabbinic Administrator (1950-1972)*  
RABBI ALEXANDER S. ROSENBERG

**BRAND: WATER DISPENSER  
CHWB**

O.U.

Sincerely yours,  
UNION OF ORTHODOX JEWISH  
CONGREGATIONS OF AMERICA

Rabbi Menachem Genack  
Rabbinic Administrator

Page: 2

May 2, 1997

TO WHOM IT MAY CONCERN:

This is to certify that the following product, listed above  
its respective brand names, prepared by

Aquathin Corp., Pompano Beach, FL 33069,

is manufactured under the supervision of the Kashruth Division  
of the Union of Orthodox Jewish Congregations of America  
and is kosher and pareve when bearing the O.U. symbol of  
of certification:

PERMA PORT PPVM  
BRAND: AQUATHIN

O.U.

Sincerely yours,  
UNION OF ORTHODOX JEWISH  
CONGREGATIONS OF AMERICA

Rabbi Menachem Genack  
Rabbinic Administrator



**Adams Center for IT Entrepreneurship  
and Venture Capital**

A Center of  
The InternetCoast Institute

FLORIDA ATLANTIC UNIVERSITY  
COLLEGE OF BUSINESS  
777 GLADES ROAD  
BOCA RATON, FLORIDA 33431-0991

Mr. Alfred J. Lipshultz, President  
Aquathin Corporation  
950 South Andrews Avenue  
Pompano Beach, FL 33069

April 23, 2004

Dear Alfie:

Your willingness to assist in my class on Small Business Entrepreneurship this spring term is greatly appreciated. International business is a subject that continues to get increasing attention from budding entrepreneurs...and quite properly so.

Thanks, Alfie, for taking the time to share your experiences and thoughts with my class. Participation in FAU's educational programs by experts such as you significantly enhances our teaching efforts.

Great job!

Regards,

Bob Keltie, Entrepreneurship Instructor



Florida Department of Agriculture and Consumer Services  
CHARLES H. BRONSON, Commissioner  
The Capitol • Tallahassee, FL 32399-0800

Please Respond to:  
Division of Marketing  
407 S. Calhoun Street  
Mayo Building, Room 420  
Tallahassee, FL 32399-0800  
Phone: (850) 487-3687  
Fax: (850) 488-7127

August 18, 2004

Mr. Alfred J. Lipshultz  
Aquathin Corporation  
950 South Andrews Avenue  
Pompano Beach, Florida 33069

Dear Mr. Lipshultz:

Thank you so much for the information about Aquathin Corporation's recent achievement in being awarded Kosher Certification from the Orthodox Union for your water purification systems effectiveness in dealing with the presence of copepods from certain water sources.

Aquathin Corporation is a prime example of the valuable contribution participating companies make to the Florida Department of Agriculture and Consumer Services' "Kosher from Florida" program and how companies such as yours enhance the quality of life for consumers everywhere.

We appreciate your continuing participation in the "Fresh from Florida" program and would like to congratulate you and Aquathin Corporation on your 25<sup>th</sup> anniversary.

Sincerely,

A handwritten signature in cursive script that reads "Charles H. Bronson".

CHARLES H. BRONSON  
COMMISSIONER OF AGRICULTURE

CHB/tf



Florida Agriculture and Forest Products  
\$62 Billion for Florida's Economy



*Embassy of the United States of America*  
**Baghdad, Iraq**

August 9, 2004  
Baghdad, Iraq

To Whom It May Concern:

Aquathin Corp. USA is a company in good standing and well known to the U.S. Department of Commerce. Mr. Alfred Lipshultz, company president, has worked closely with the various offices of the Commerce Department in expanding their business to over 40 countries worldwide, and has earned numerous awards in recognition of the company's successful international business ventures including the President's "E" Award for Excellence in Exporting, and the Nation's Blue Chip Enterprise Award.

Established in 1980 and headquartered in Pompano Beach, Florida, Aquathin Corp. is an ISA-9000 compliant manufacturer and exporter of a wide range of patented water purification, softening and filtration systems for residential, commercial and laboratory use. The firm has developed a reputation for excellent products, superb service, and outstanding client support.

It is my understanding that Aquathin Corp. has appointed Eng. Nabeel Jabri, General Manager Alselasil Commercial Agency, as their official representative for Iraq. Alselasil has offices in Zayuna, Baghdad, Iraq.

We would like to welcome Aquathin Corp. to the community of US firms already working in Iraq and wish Mr. Jabri success in establishing the company's presence during this critical rebuilding of the country.

Sincerely,

  
Rick Ortiz  
Commercial Counselor

Cc: Alfred Lipshultz, Nabeel Jabri, Greg Wong, John McCartney, Lesa Forbes

UNCLASSIFIED